



Transport Telematics Africa (Pty) Ltd

Consulting Engineers & Project Managers

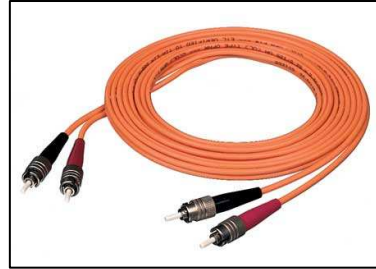
FIRM'S REFERENCE

ASSIGNMENT NAME

Cecilia Makinwane Hospital ICT Systems:
Preliminary Design and Bill of Quantities for
Tender Purposes

LOCATION

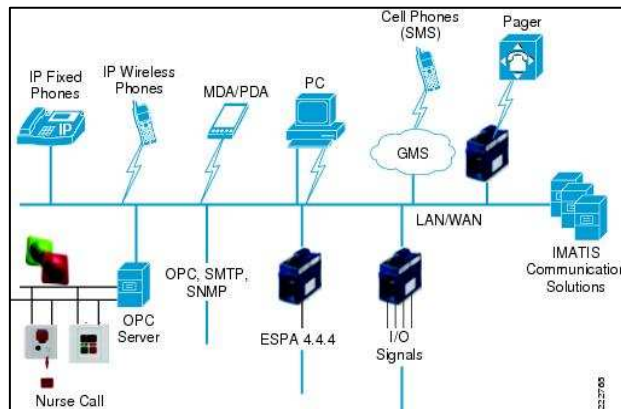
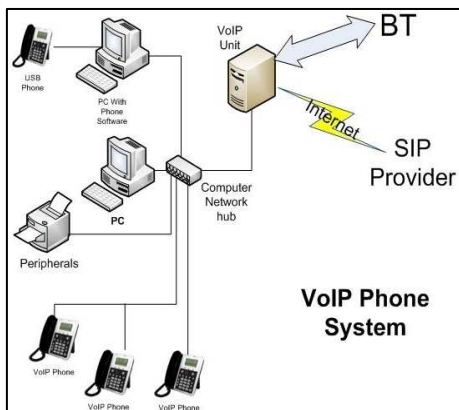
Mdantsane, East London



Copper and fibre patch leads: The backbone of the communication system



ICT Equipment: VoIP telephones, server room racks and HP core and edge switches



Examples of ICT system diagrams



Transport Telematics Africa (Pty) Ltd

Consulting Engineers & Project Managers

NAME OF CLIENT Eastern Cape Department of Health		PROFESSIONAL STAFF PROVIDED BY THE FIRM AND FUNCTIONS PERFORMED Wehan Wessels (Pr Eng): Overall design Amy Stevens (BSc Eng): Design and compilation of bill of quantities and system diagrams	
DURATION OF ASSIGNMENT 12 months		NAME OF ASSOCIATED CONSULTANTS SAHA International (Pty) Ltd	
START DATE March 2011	COMPLETION DATE March 2012		
APPROX VALUE OF PROJECT Available on request			
NARRATIVE DESCRIPTION OF PROJECT <p>TTA are sub-consultants to SAHA International assisting them with the preliminary design of the ICT services at the new hospital being built to replace Cecilia Makiwane Hospital in Mdantsane outside East London. TTA also compiled cost estimates and a detailed bill of quantities for the hospital's communication systems.</p> <p>The systems include a data and VoIP telephone system, a nurse call system, a PACS system and a satellite TV distribution system. All the communication systems will communicate along fibre rings via equipment rooms positioned throughout the hospital to a central server room. The rack layouts of the equipment rooms as well as the server room were planned according to the standards set out by the Eastern Cape Department of Health and include all the necessary fibre and copper patch panels, switches, servers and storage.</p>			
DESCRIPTION OF ACTUAL SERVICES PROVIDED BY THE FIRM Transport Telematics Africa was appointed for preliminary design and compilation of the budget and bill of quantities for tender purposes of the project.			